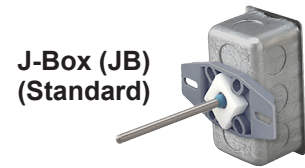


Rev. 8/02/10

Features & Options

- Probe Lengths: 2", 4", 8", 12" and 18"
- Series 304 Stainless Steel Probes
- Medical-Grade Foam Padding
- Several Enclosure Styles
- Double Encapsulated Sensors & Etched Teflon Leadwires
- Wide Selection of Temperature Sensing Elements
- Limited Lifetime Warranty



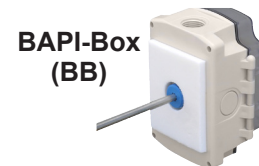
J-Box (JB)
(Standard)



Weatherproof
(WP)



Weather Tight
(EU)



BAPI-Box
(BB)



BAPI-Box 2
(BB2)



No Box (NB)

Single Point Duct Units feature medical-grade closed cell foam to seal the probe insertion hole and to absorb vibration. Mounting tabs allow for easy installation directly to the wall of the duct. All Duct Units have etched Teflon leadwires and double encapsulated sensors to create a watertight package that can withstand high humidity and condensation and perform under real world conditions. Duct Units have probe lengths from 4" to 18" to accommodate most duct shapes and sizes. Custom probe lengths are also available.

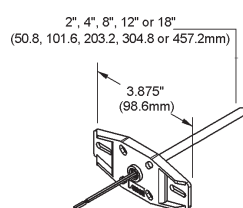
Enclosure Styles

Duct Units come standard with a 2"x4" steel J-Box but are also available with no box (NB) or four styles of enclosure: Weatherproof (WP), Weather Tight (EU) or BAPI-Box (BB) and BAPI-Box 2 (BB2). The metal WP enclosure carries a NEMA 3R rating, while the ABS polymer EU carries an IP66 rating and is available in a UV-resistant material (EUO). The BAPI-Box (BB) and BAPI-Box 2 (BB2) are made of UV-resistant polycarbonate and carry an IP66 rating.

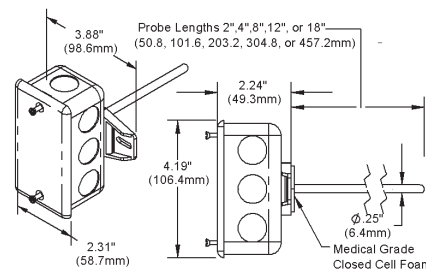
For detailed specs on the individual Sensors & Transmitters, turn to the "Sensors" section.

* All Passive Thermistors 10K Ω and smaller are CE compliant.

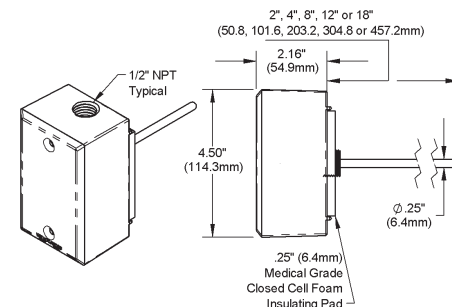
Specifications



Duct Unit with
No Box (NB)



Duct Unit with J-Box
(Standard)



Weatherproof (WP) Duct Unit

Enclosure Material:

WP Model: Cast Aluminum
 BB Model: Polycarbonate, UL94, V-0
 BB2 Model: Polycarbonate, UL94, V-0
 EU Model: ABS Plastic, UL94, V-0
 J-Box Model: Galv. Steel

Enclosure Rating:

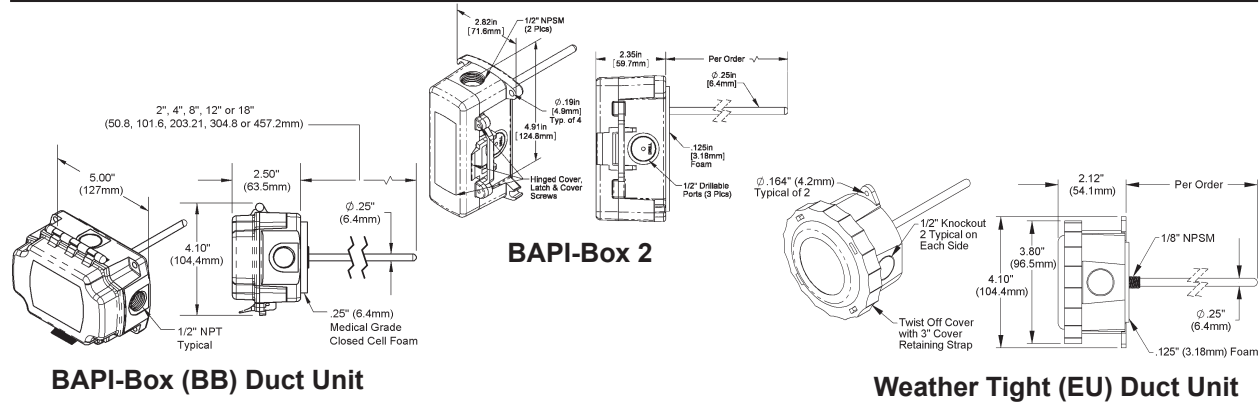
J-Box Model: NEMA 1
 WP Model: NEMA 3R
 EU, BB & BB2 Models: IP66, NEMA 4

Environmental Operation Range:

Temperature: -40 °C to 100 °C
 Humidity: 0 to 100%, non-condensing

Rev. 8/02/10

Specifications



Ordering Information Duct Units - Temperature

BA/		Sensor Type (Required selection) Use the designator number (shown to the left in bold) to indicate the sensor		
#		THERMISTORS		
		1.8K 1.8K Ω @ 25 °C 3K 3K Ω @ 25 °C 3.25K 3.25K Ω @ 25 °C (T30 type) 3.3K 3.3K Ω @ 25 °C 10K-2 10K Ω @ 25 °C 10K-3 10K Ω @ 25 °C 10K-3[11K] 5,238 Ω @ 25 °C 20K 20K Ω @ 25 °C 50K 50K Ω @ 25 °C 100K 100K Ω @ 25 °C	RTDs 100 100 Ω Platinum @ 0 °C, .385 Ω/°C temp. coeff. 100[3W] 3 Wire 100 Ω Plat. @ 0 °C, .385 Ω/°C temp. coeff. 1K[375] 1K Ω Platinum @ 0 °C, 3.75 Ω/°C temp. coeff. 1K[Ni] 1K Ω Nickel @ 21 °C, 5 Ω/°C temp. coeff. 1K 1K Ω Platinum @ 0 °C, 3.85 Ω/°C temp. coeff. 2K 2K Ω Silicon @ 20 °C, 8 Ω/°C temp. coeff.	
		SEMICONDUCTORS		
		334 LM334 Semiconductor 592 AD592 Semiconductor, 273 μA @ 0C 592-10K AD592 Semicond. w/ 10 kΩ shunt resistor, 2.73 V @ 0C		
		TEMPERATURE TRANSMITTERS Must include a "range" figure		
		T100[range] 100 Platinum RTD, 100 Ω @ 0 °C with 4 to 20 mA Output T100M[range] 100 Platinum RTD, 100 Ω @ 0 °C with MATCHED 4 to 20 mA Output* T1K[range] 1K Platinum RTD, 1,000 Ω @ 0 °C with 4 to 20 mA Output T1KM[range] 1K Platinum RTD, 1,000 Ω @ 0 °C with MATCHED 4 to 20 mA Output* T10K[range] 10K Thermistor, 10,000 Ω @ 25 °C with 4 to 20 mA Output T10K[range]-10 10K Thermistor, 10,000 Ω @ 25 °C with 0-10 VDC Output		
		TEMPERATURE TRANSMITTER RANGES		
		Custom temperature transmitter ranges are available. Common ranges are listed below		
		40 TO 90F 4 TO 32C -30 TO 130F -34 TO 54C 0 TO 100F -18 TO 38C 32 TO 212F 0 TO 100C 20 TO 120F -7 TO 48C 30 TO 234F -1 TO 112C 32 TO 134F 0 TO 57C		
		Probe Length (Required selection)		
		-D-2"	2" length of 1/4" Diameter, Stainless Steel Probe	
		-D-4"	4" length of 1/4" Diameter, Stainless Steel Probe	
		-D-8"	8" length of 1/4" Diameter, Stainless Steel Probe	
		-D-12"	12" length of 1/4" Diameter, Stainless Steel Probe	
		-D-18"	18" length of 1/4" Diameter, Stainless Steel Probe	
		-D-XX"	Custom lengths of 1/4" Dia, Stainless Steel Probe are available. Call for details.	
		Optional Enclosure Type 2"x4" Steel J-Box comes standard		
		-BB	BAPI-Box Enclosure - IP66 rated, UV-resistant polycarbonate	
		-BB2	BAPI-Box 2 Enclosure - IP66 rated, UV-resistant polycarbonate	
		-WP	Weatherproof Enclosure - NEMA 3R rated metal enclosure	
		-EU	Weather Tight Enclosure - IP66 rated ABS polymer enclosure	
		-EUO	Weather Tight Enclosure - IP66 rated UV-resistant enclosure	
		-NB-18"	No Junction Box, 18" Lead Length, Plenum Rated Cable	
		-NB-5'	No Junction Box, 5' Lead Length, Plenum Rated Cable	
		-NB-10'	No Junction Box, 10' Lead Length, Plenum Rated Cable	
		-NB-15'	No Junction Box, 15' Lead Length, Plenum Rated Cable	
		-NB-XX	Custom lead lengths (Plenum Rated cable) are available. Call for details.	
		Options		
		-TB	Test and Balance Switch (BB or BB2 required)	
		-TS	Terminal Block Connection (BB or BB2 required)	
EXAMPLE				
BA/	10K-2	-D-8"	-NB-5'	
Example Part Number: BA/10K-2-D-8"-NB-5'				
Your Part Number				

Call BAPI if you have questions about the above ordering grid or the configuration of the product you are ordering.
 *MATCHED Transmitter use Class A RTD's & are matched at 25%, 50% & 75% of calibrated scale limited to within -25°C to 150°C.