

Temperature Sensors

Rev. 06/14/10

Features & Options

- Clamp-On, Strap On or Remote Probe Options
- Double Encapsulated Sensors
- Wide Selection of Temperature Sensing Elements

Clamp-On Strap, Spring-Loaded Strap and Remote Probes are designed to monitor water temperature in retrofit or filled pipe applications. The strap units fit around the outside of a pipe, greatly reducing installation cost. While the Remote Probe units are strapped directly onto the pipe.

All three units measure the water temperature by sensing the surface temperature of the pipe. The Strap Units have etched Teflon leadwires and double encapsulated sensors and come standard with a Junction Box enclosure. The Clamp-On Unit and the Remote Probes are available with an optional watertight BAPI-Box or BAPI-Box 2 enclosure. The Spring Loaded Unit is available with an optional BAPI-Box 2 enclosure.

Clamp-On Strap – This unit has a bendable copper sensing plate which forms to the curvature of the pipe. An adjustable hose clamp is used to firmly hold the unit in place around the pipes up to 4.5”.

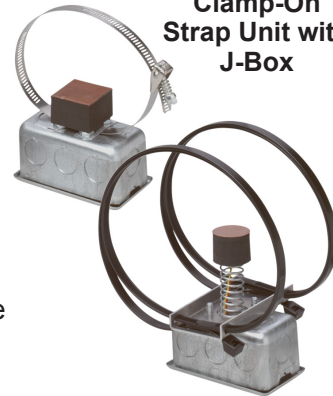
Spring-Loaded Strap – Instead of removing the pipe insulation, the spring loaded sensing pad is held against the pipe through a hole cut in the insulation. It can be used with pipes up to 14.5” with up to 2” of insulation.

Remote Probes - These units have a 1.75” long stainless steel probe with either Plenum-Rated Cable or FEP-Jacketed Cable with a lead length of 18” (Other lengths are available by calling BAPI). Remote Probes are ideal for strap-on applications, or hard-to-access areas.

*Some items may not be CE compliant, call BAPI for additional information.



Clamp-On Strap Unit with J-Box

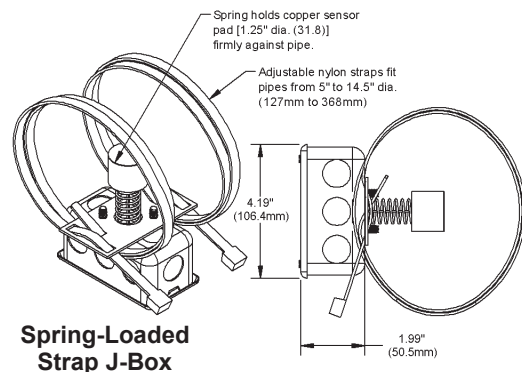


Spring Loaded Strap Unit with J-Box

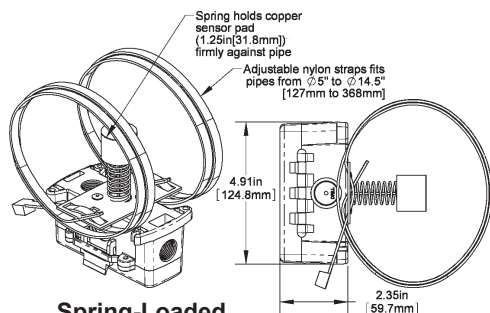


Remote Probe with BAPI-Box & BAPI-Box 2

Specifications



Spring-Loaded Strap J-Box



Spring-Loaded Strap BAPI-Box 2

Enclosure Material:

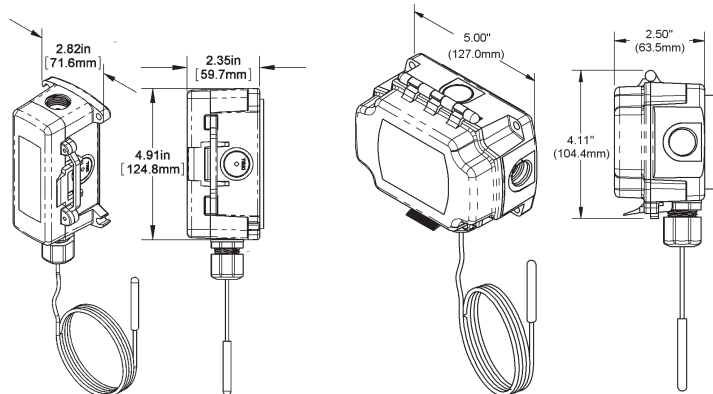
BB or BB2 Models: Polycarbonate
J-Box: Galvanized Steel (J-Box)

Environmental Operation Range:

Temp: Clamp On: -65 °C to 100 °C,
Spring Loaded: -40 °C to 85 °C
Remote Probe: -40 °C to 105 °C
Humidity: 0 to 95%, non-condensing

Encl. Rating:

J-Box: NEMA 1 • BB & BB2 Models: IP66, NEMA 4

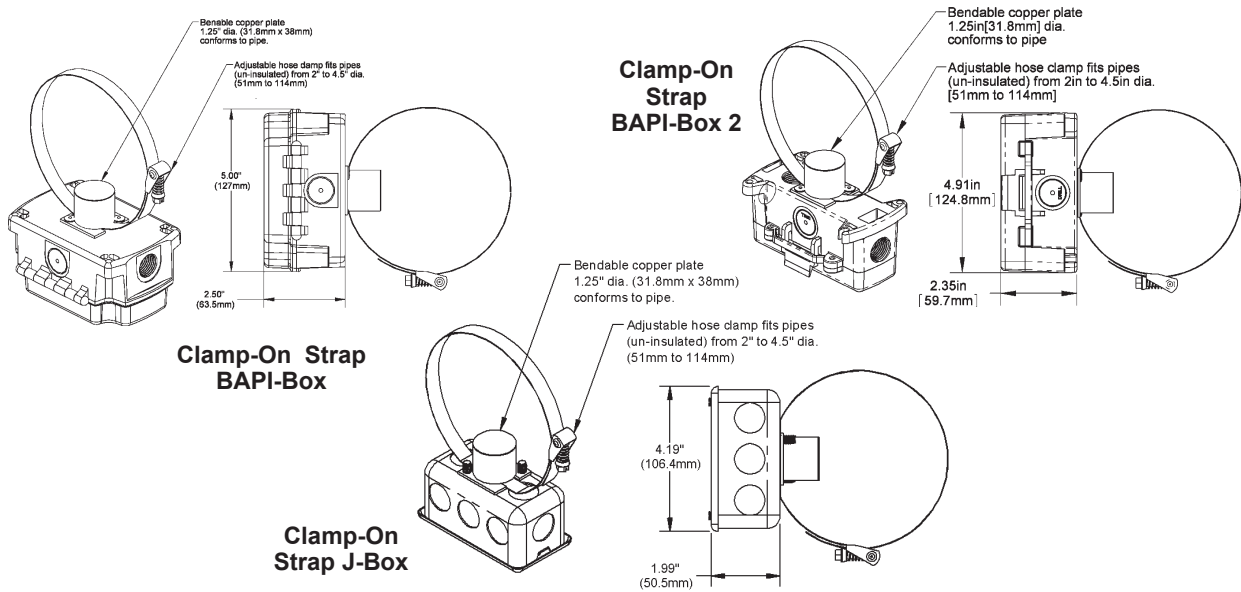


Remote Probe BAPI-Box 2

Remote Probe BAPI-Box

Rev. 06/14/10

Specifications



Ordering Information Clamp-On Strap, Spring-Loaded Strap and Remote Probe Units

BA/		Sensor Type Use the designator number (shown to the left in bold) to indicate the sensor	
#	THERMISTORS		RTDs
	1.8K	1.8K Ω @ 25 °C	100 100 Ω Platinum @ 0 °C, .385 Ω/°C temp. coeff.
	3K	3K Ω @ 25 °C	100[3W] 3 Wire 100 Ω Plat. @ 0 °C, .385 Ω/°C temp. coeff.
	3.3K	3.3K Ω @ 25 °C	1K[375] 1K Ω Platinum @ 0 °C, 3.75 Ω/°C temp. coeff.
	10K-2	10K Ω @ 25 °C	1K[Ni] 1K Ω Nickel @ 21 °C, 5 Ω/°C temp. coeff.
	10K-3	10K Ω @ 25 °C	1K 1K Ω Platinum @ 0 °C, 3.85 Ω/°C temp. coeff.
	10K-3[11K]	5,238 Ω @ 25 °C	2K 2K Ω Silicon @ 20 °C, 8 Ω/°C temp. coeff.
	20K	20K Ω @ 25 °C	
	50K	50K Ω @ 25 °C	SEMICONDUCTORS
	100K	100K Ω @ 25 °C	334 LM334 Semiconductor
			592 AD592 Semiconductor, 273 μA @ 0 °C
			592-10K AD592 Semicond. w/ 10 kΩ shunt resistor, 2.73 V @ 0 °C
		TEMPERATURE TRANSMITTERS	<i>Must include a "range" figure</i>
	T100[range]	100 Platinum RTD, 100 Ω @ 0 °C with 4 to 20 mA Output	
	T100M[range]	100 Platinum RTD, 100 Ω @ 0 °C with MATCHED* 4 to 20 mA Output	
	T1K[range]	1K Platinum RTD, 1,000 Ω @ 0 °C with 4 to 20 mA Output	
	T1KM[range]	1K Platinum RTD, 1,000 Ω @ 0 °C with MATCHED* 4 to 20 mA Output	
	T10K[range]	10K Thermistor, 10,000 Ω @ 25 °C with 4 to 20 mA Output	
	T10K[range]-05	10K Thermistor, 10,000 Ω @ 25 °C with 0 to 5 Volt Output	
	T10K[range]-10	10K Thermistor, 10,000 Ω @ 25 °C with 0 to 10 Volt Output	
		TEMPERATURE TRANSMITTER RANGES	
		Custom temperature transmitter ranges are available. Common ranges listed below	
		30 TO 81F -1 TO 27C 32 TO 134F 0 TO 57C	
		0 TO 100F -18 TO 38C 32 TO 212F 0 TO 100C	
		20 TO 120F -7 TO 48C	
	Configuration		
	-S	Clamp-On Strap - Fits 2" to 4.5" (5.08 to 11.4 cm) pipe with adjustable SS hose clamp.	
	-STP	Spring-Loaded Strap - Fits 5" to 14.5" (12.7 to 36.8 cm) pipe with adjustable nylon straps.	
	-RPP-18"	Remote Probe with Plenum Rated Cable - 18" Leads	
	-RPFEP-18"	Remote Probe with FEP Jacketed Cable - 18" Leads	
	-RPFEP2-18"	Remote Probe w/ FEP Jacketed Cable (suitable for extended submersion) - 18" Leads	
	Optional BAPI-Box Enclosure		
	-BB	BAPI-Box Enclosure - IP66 rated, UV-resistant polycarbonate (Only available for the Clamp-On Strap Units)	
	-BB2	BAPI-Box 2 Enclosure - IP66 rated, UV-resistant polycarbonate (Available for all three units)	

EXAMPLE

BA/ 10K-2 -S
 Example Part Number: BA/10K-2-S

Your Part Number:

Call BAPI if you have questions about the above ordering grid or the configuration of the product you are ordering.