

RIBXKTF

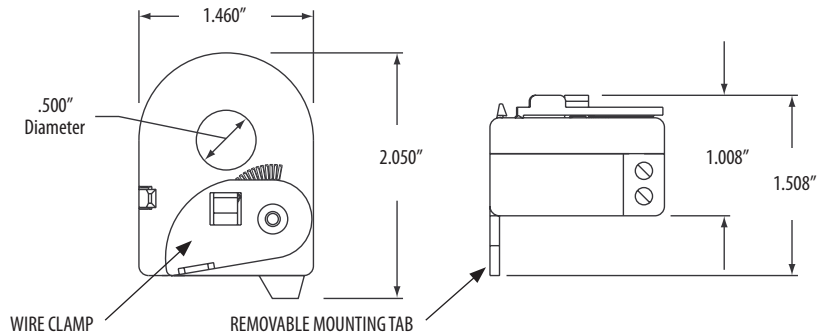
Enclosed Fixed .25-150 Amp Current Sensor with Terminal Strip Output



Functional Devices, Inc. A600C 2005

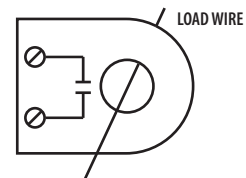


Operating Temperature: -30 to 140° F
Output: Terminal Strip, Accepts #14-22 AWG Wire
Sensor Type: Internal
Sensor Threshold: Fixed, .25 Amp
Sensor Range: .25-150 Amps
Sensor Output: Solid State Contact 30 Vac/dc
0.4 Amp Max.
Max Sense Voltage: 600 Vac
Approvals: UL Listed, UL916, UL864, C-UL Canada
CE Approved
Housing Rating: Plenum, NEMA 1
Mounting/Installation: Removable mounting tab provided. The wire clamp locks against the load wire, securing the unit in place.



SENSOR OUTPUT
Solid State Contact
30 Vac/dc, .4 Amp Max.

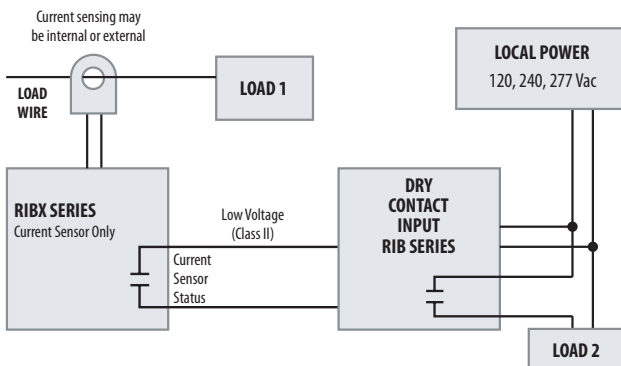
When current sensor status is off (open),
leakage < 30 uA @ 30Vac/dc
When current sensor status is on (closed),
voltage drop < .3 Vac/dc @ .1 Amp
< 1.6 Vac/dc @ .4 Amp



Notes:

INTERLOCKING LOADS (NO TRANSFORMER)

Self-powered Current Sensors of the RIBX Series and relays of the Dry Contact Input RIB Series may be applied to interlock Load 2 to Load 1.



DRY CONTACT INPUT RELAYS

RIB21CDC
RIB01BDC
RIB01SBDC
RIB02BDC
RIB02SBDC
RIBM01ZDC
RIBM02ZDC
RIBM013PDC

CURRENT SENSORS

RIBXKF RIBXRF
RIBXKTF RIBXRA
RIBXKA RIBXJF
RIBXKTA RIBXJA
RIBXGA RIBMXF
RIBXGF RIBMXA
RIBXGTA RIBMXV
RIBXGTF RIBMXRF
RIBXGFL RIBMXRA
RIBXGTFL RIBMXJF
RIBXF RIBMXJA
RIBXA
RIBXV