

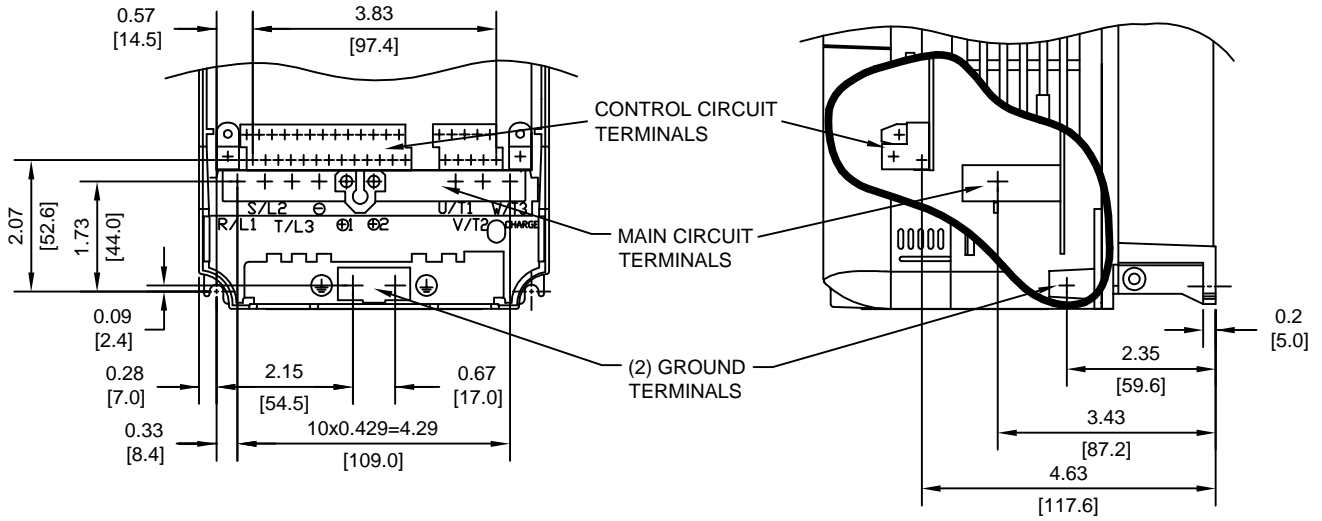
MODEL # CIMR-E7U	VOLTAGE (VAC)	OUTPUT CURRENT (A)	WEIGHT LBS (Kg)	HEAT LOSS (W)		
				INT	EXT	TOTAL
20P4	208/240	3.6	6.6 (3.0)	39	19	58
20P7		4.6	6.6 (3.0)	42	26	68
21P5		7.8	6.6 (3.0)	50	48	98
22P2		10.8	6.6 (3.0)	59	68	127
40P4	480	1.8	6.6 (3.0)	39	14	53
40P7		2.1	6.6 (3.0)	41	17	58
41P5		3.7	6.6 (3.0)	48	36	84

INT=INTERNAL COMPONENTS
 EXT=EXTERNAL HEATSINK

FOR ADDITIONAL DETAILS AND SPECIFICATIONS, CONSULT MANUAL

TOLERANCES/REFERENCES: -	<p>YASKAWA <i>A World of Automation Solutions™</i></p> <p>YASKAWA ELECTRIC AMERICA, INC. Corporate Headquarters 2121 Norman Drive South Waukegan, IL 60085 1-800-YASKAWA http://www.yaskawa.com</p>	DRAWN: J. MATTAS	DATE: 4-4-05	TITLE: E7 DIMENSION DRAWING FRAME SIZE 1 NEMA TYPE 1/1P20 AND IP00 E7U20P4 TO 22P2, 40P4 TO 41P5
		CHECKED: M. RUCINSKI	DATE: 5-3-05	
UNITS: IN[mm]	SCALE: 1:4	TECH: J. CAIRO	DATE: 4-7-05	SIZE: A
		APPROVED: T. SASADA	DATE: 6-8-05	REVISION: R00
		ORIGINAL DESIGN: -	DATE: -	PAGE: 1 of 2
		DRAWING #: DD.E7.FR1.N1.01		

TERMINAL AND WIRING DETAILS (SCALE 1:3)

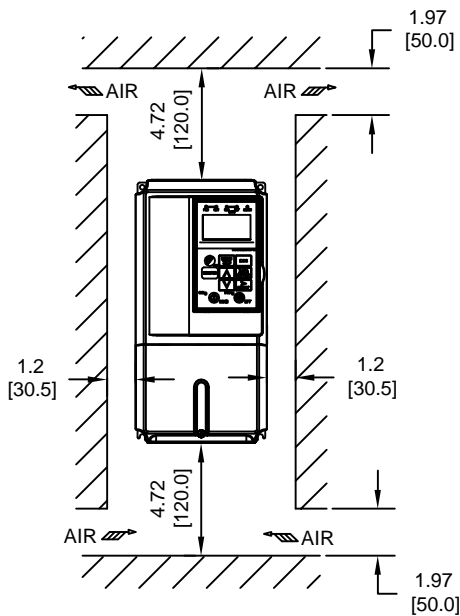


TERMINAL AND WIRE SPECIFICATIONS FOR MAIN CIRCUIT AND GROUND

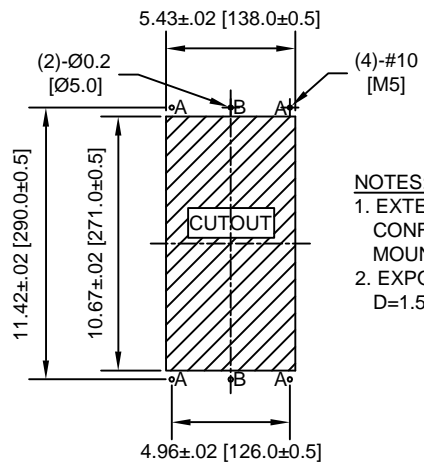
MODEL # CIMR-E7U	TERMINAL SCREW	CLAMPING TORQUE lb.in.(N.m.)	WIRE RANGE AWG(mm ²)
20P4	M4	10.6 TO 13.2 (1.2 TO 1.5)	18-10 (0.82-5.5)
20P7	M4	10.6 TO 13.2 (1.2 TO 1.5)	18-10 (0.82-5.5)
21P5	M4	10.6 TO 13.2 (1.2 TO 1.5)	18-10 (0.82-5.5)
22P2	M4	10.6 TO 13.2 (1.2 TO 1.5)	18-10 (0.82-5.5)
40P4	M4	10.6 TO 13.2 (1.2 TO 1.5)	18-10 (0.82-5.5)
40P7	M4	10.6 TO 13.2 (1.2 TO 1.5)	18-10 (0.82-5.5)
41P5	M4	10.6 TO 13.2 (1.2 TO 1.5)	18-10 (0.82-5.5)

NOTE: REFER TO APPLICABLE CODES FOR PROPER WIRE TYPE AND SIZE

MINIMUM INSTALLATION CLEARANCES (SCALE 1:8)



PANEL CUTOUT FOR EXTERNAL HEATSINK MOUNTING CONFIGURATION (SCALE 1:8)



- NOTES:
- EXTERNAL HEATSINK CONFIGURATION REQUIRES MOUNTING KIT
 - EXPOSED HEATSINK DEPTH D=1.54" MINUS PANEL THICKNESS

FOR ADDITIONAL DETAILS AND SPECIFICATIONS, CONSULT MANUAL

TOLERANCES/REFERENCES:

UNITS: IN[mm]

SCALE: BY VIEW

YASKAWA
A World of Automation Solutions™

YASKAWA ELECTRIC AMERICA, INC.
Corporate Headquarters
2121 Norman Drive South
Waukegan, IL 60085
1-800-YASKAWA
http://www.yaskawa.com

DRAWN: J. MATTAS	DATE 4-4-05
CHECKED: M. RUCINSKI	DATE 5-3-05
TECH: J. CAIRO	DATE 4-7-05
APPROVED: T. SASADA	DATE 6-8-05
ORIGINAL DESIGN: -	DATE -

TITLE: E7 DIMENSION DRAWING FRAME SIZE 1 NEMA TYPE 1/IP20 AND IP00 E7U20P4 TO 22P2, 40P4 TO 41P5		
SIZE A	REVISION R00	PAGE 2 of 2
DRAWING #: DD.E7.FR1.N1.01		