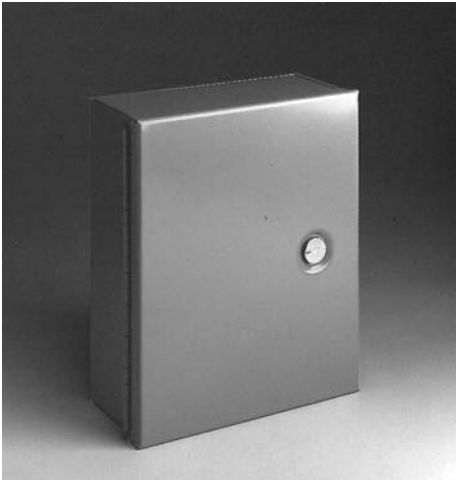


Type 1 Enclosures

Type 1 Small Panel Enclosures Data Sheet

Type 1 Enclosures



Application

- Houses electrical controls and instruments in an environment which does not require oil or dust tight specifications
- Protects against contact with enclosed equipment

Standards

- UL 50 listed, Type 1
- CSA C22.2 No. 40 certified, Type 1
- Conforms to NEMA standard for Type 1
- IEC 60529, IP30

Construction

- Enclosure and cover are fabricated from (16) gauge steel
- Enclosure body has mounting holes on the back which are accessible with or without the optional panel installed
- Cover is secured to the body with a continuous hinge on one side and flush latch on the opposite side
- Flush latch is designed to operate with either coin or screwdriver
- #10-32 weldnuts are provided for mounting optional panel
- No knockouts

Finish

- Wash and phosphate undercoat
- ANSI 61 gray polyester powder finish

Accessories

- Panels
- Terminal blocks
- Type 1 flush lock
- Touch-up paint
- See Accessories section
- #8-32 self tapping screw (10168)

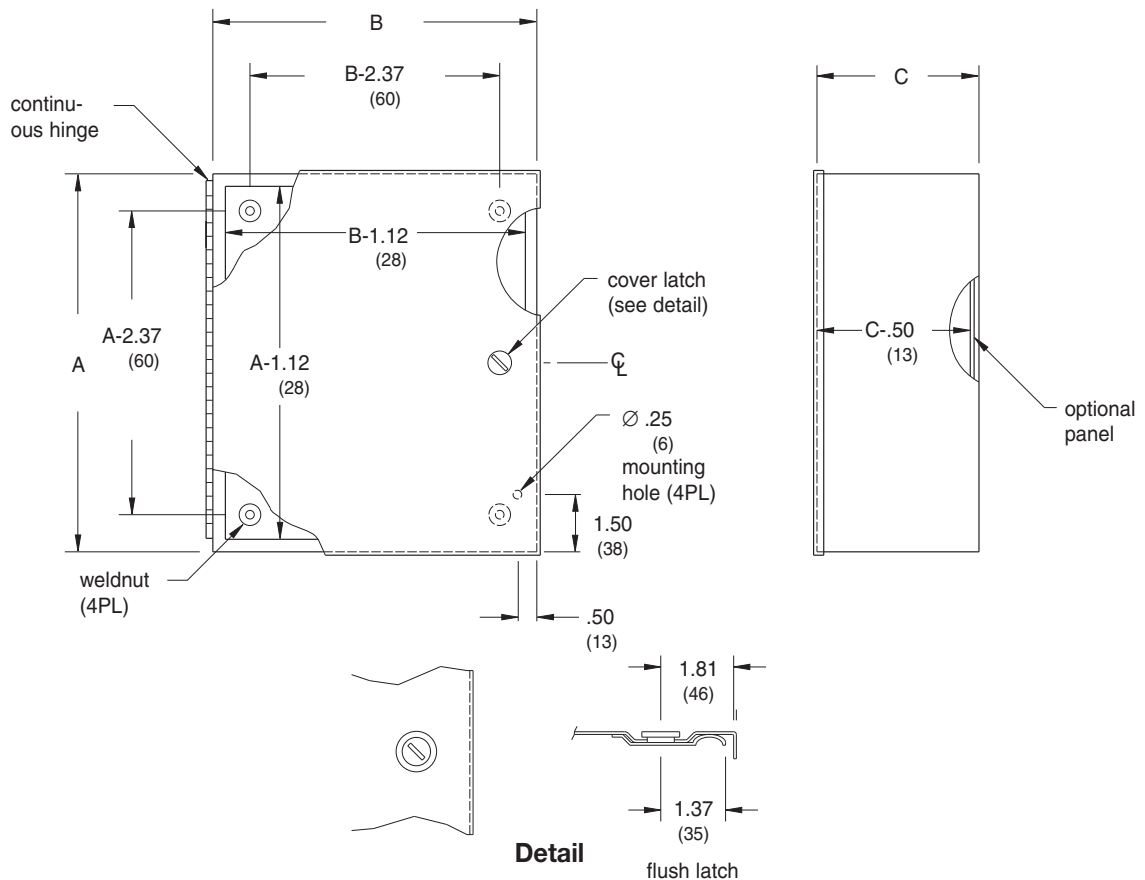
Notes: Cooper B-Line can provide special sizes, finishes and other modifications. Consult the factory for your special requirements.

Type 1 Enclosures

Type 1 Small Panel Enclosures Catalog Number

Type 1 Enclosures

Enclosure Catalog Number	Enclosure Size Height x Width x Depth A x B x C		Panel Catalog Number		Panel Size	
	in.	mm	Solid	Perforated	Height in.	Width mm
664-1	6.00x6.00x4.00	152x152x102	N66P	N66PP	4.25x4.25	108x108
864-1	8.00x6.00x4.00	203x152x102	N86P	N86PP	6.25x4.25	159x108
884-1	8.00x8.00x4.00	203x203x102	N88P	N88PP	6.25x6.25	159x159
1084-1	10.00x8.00x4.00	254x203x102	N108P	N108PP	8.25x6.25	210x159
10104-1	10.00x10.00x4.00	254x254x102	N1010P	N1010PP	8.25x8.25	210x210
12104-1	12.00x10.00x4.00	305x254x102	N1210P	N1210PP	10.25x8.25	260x210
12124-1	12.00x12.00x4.00	305x305x102	N1212P	N1212PP	10.25x10.25	260x260
14124-1	14.00x12.00x4.00	356x305x102	N1412P	N1412PP	12.25x10.25	311x260
866-1	8.00x6.00x6.00	203x152x152	N86P	N86PP	6.25x4.25	159x108
886-1	8.00x8.00x6.00	203x203x152	N88P	N88PP	6.25x6.25	159x159
1086-1	10.00x8.00x6.00	254x203x152	N108P	N108PP	8.25x6.25	210x159
10106-1	10.00x10.00x6.00	254x254x152	N1010P	N1010PP	8.25x8.25	210x210
12106-1	12.00x10.00x6.00	305x254x152	N1210P	N1210PP	10.25x8.25	260x210
12126-1	12.00x12.00x6.00	305x305x152	N1212P	N1212PP	10.25x10.25	260x260
14126-1	14.00x12.00x6.00	356x305x152	N1412P	N1412PP	12.25x10.25	311x260
20126-1	20.00x12.00x6.00	508x305x152	N2012P	N2012PP	18.25x10.25	464x260
12128-1	12.00x12.00x8.00	305x305x203	N1212P	N1212PP	10.25x10.25	260x260
14128-1	14.00x12.00x8.00	356x305x203	N1412P	N1412PP	12.25x10.25	311x260



Notes: Dimensions are in inches. Millimeters shown are for reference only. Data subject to change without notice.